

**KBT**

617~960/1710~2700/3300~4000MHz 3/4/5dBi Low PIM MIMO Omnidirectional ceiling antenna

TQJ-D0740XTLC-M**Application**

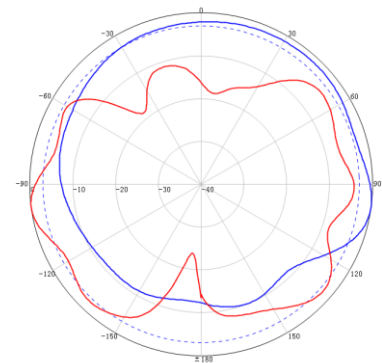
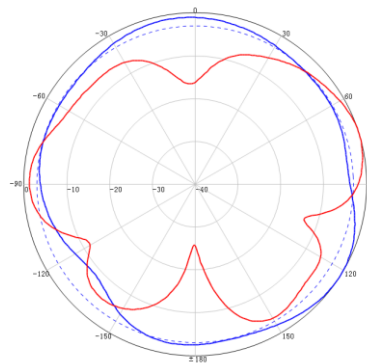
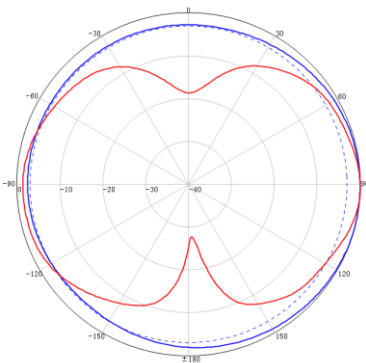
Used in 2G/3G/4G/5G/WLAN system

Electrical specifications

Frequency range (MHz)	617~960	1710~2700	3300~4000
Polarization	2*Linear, Horizontal		
Gain (dBi)	3	4	5
Horizontal beam width (°)	360, omnidirectional		
Typical Vertical beam width (°)	70	50	45
Isolation (dB)	≥25	≥30	≥40
Impedance (Ω)	50		
VSWR	≤1.8		
Intermodulation IM3 (2x43dBm carrier)	≤-150 dBc		
Maximum power (W)	50		

Mechanical specifications

Connector	2*4.3-10 Female or 2* N Female
Exposed cable size (cm)	50(or Customized)
Connector position	Bottom
Antenna size (mm)	454*166*6.5
Packing size (mm)	475*85*192
Weight (kg)	≤0.4
Radome material	PS
Radome color	White
Operating humidity (%)	5~95
Operating temperature (°C)	-40~60
Application	Indoor
Mounting	Nut or Screw

617~960MHz Typical pattern:**1710~2700MHz Typical pattern:****3300~4000MHz Typical pattern:**



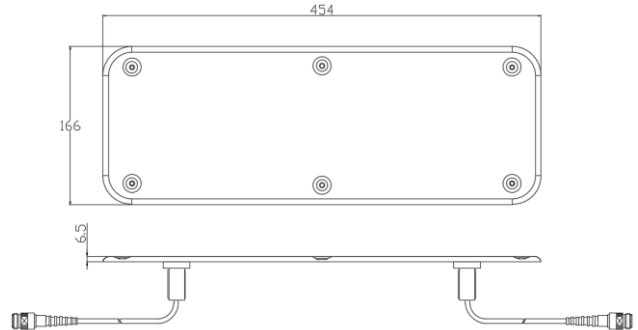
KBT

617~960/1710~2700/3300~4000MHz 3/4/5dBi
Low PIM MIMO Omnidirectional ceiling antenna

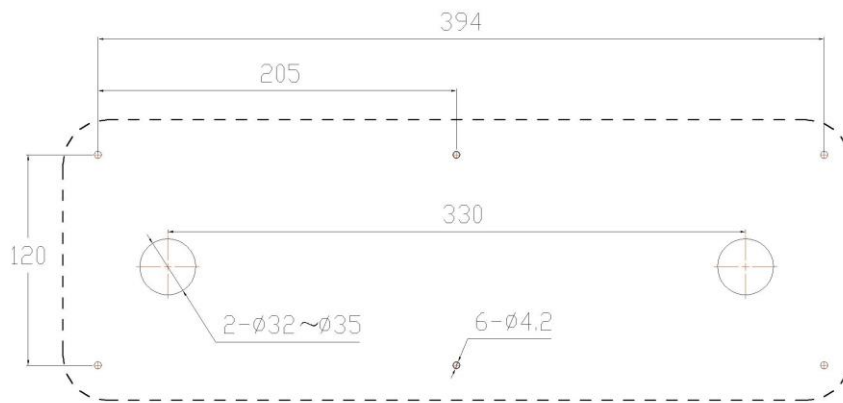
Product pictures



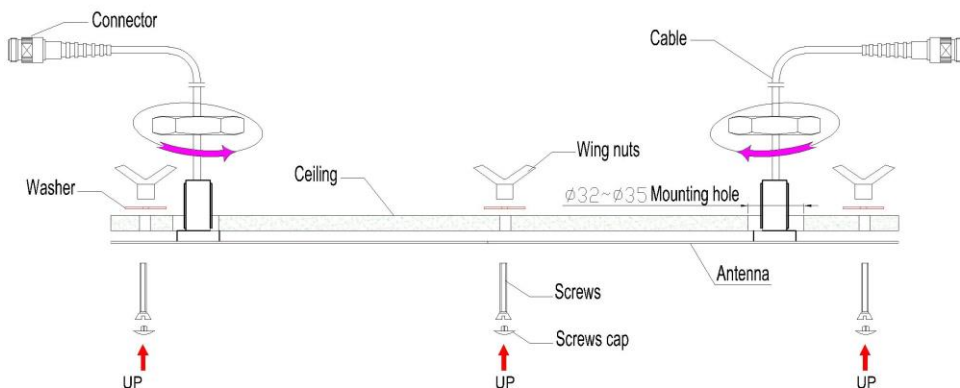
Product size



Installation Sketch



Mounting hole size



1. Drill a $\Phi 32$ - $\Phi 35$ hole on the ceiling.
2. Install the antenna as the following picture shows then tighten the bolts.
3. Connect the RF jumper to antenna connector.

Attention!

The antenna please not to install on the big area metals, in order to prevent influence antenna result.